

# ProLine DECKS



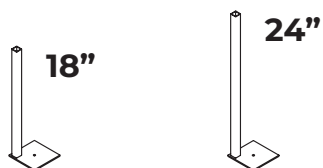
## 1-MODULE ASSEMBLY INSTRUCTIONS



# INCLUDED PARTS LIST

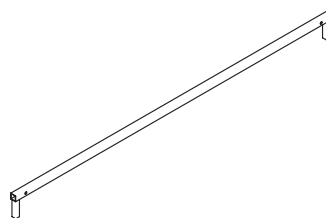
## **A** Adjustable Leg (x4)

PLL18, PLL24



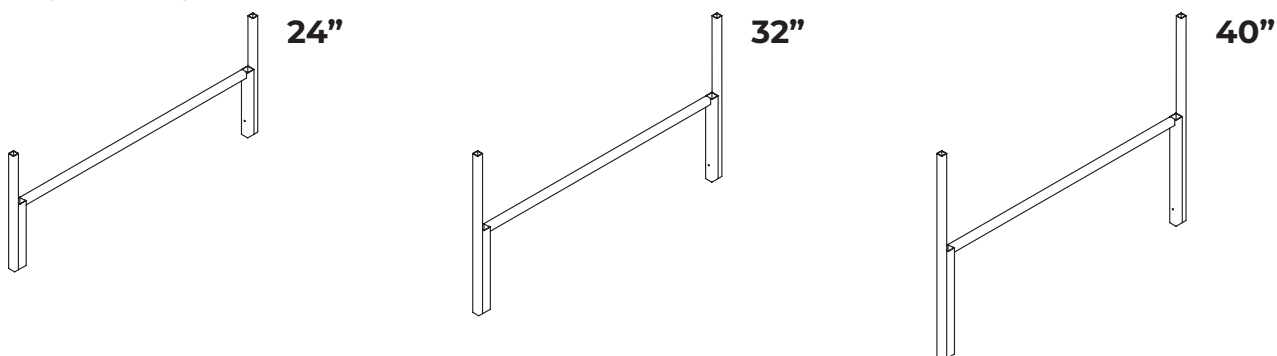
## **B** Connector Brace (x2)

PLCB60



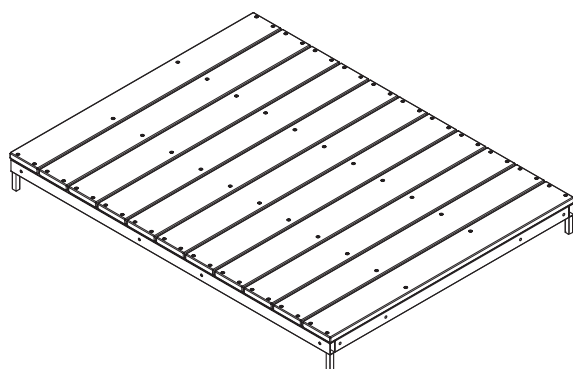
## **C** H Brace (x2)

PL1HB24, PL1HB32, PL1HB40



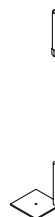
## **D** Platform Module (x1)

PLTF4860



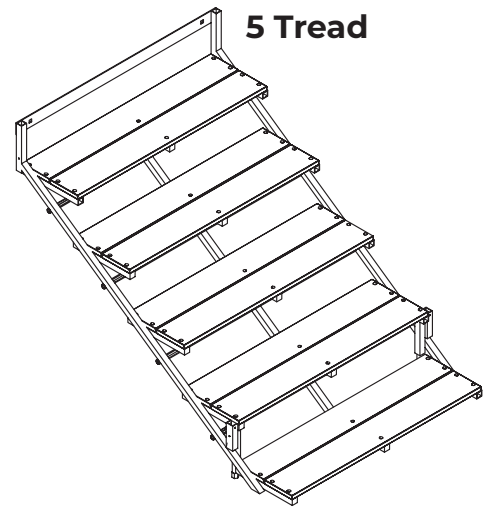
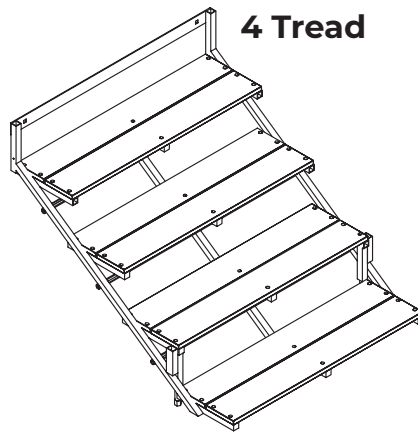
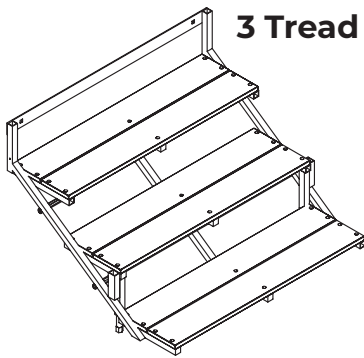
## **F** Adjustable Step Leg (x2)

PLL5



# **E** Step Assembly (x1)

PLST3240



*\*Height of the Step Assembly included in this kit vary depending on area of installation*

## **G** Right End Post (x1)

PLREP



## **H** Left End Post (x1)

PLLEP



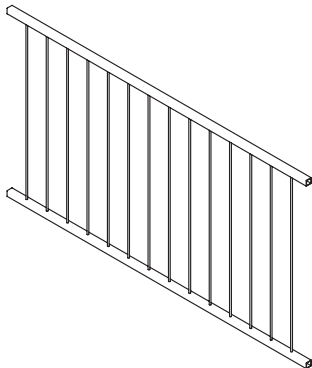
## **J** Corner Post (x2)

PLCP



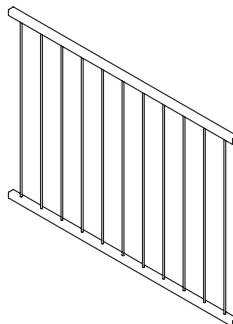
## **K** 58 3/4" Deck Rail (x1)

PLRS59



## **L** 44" Deck Rail (x1)

PLRS44



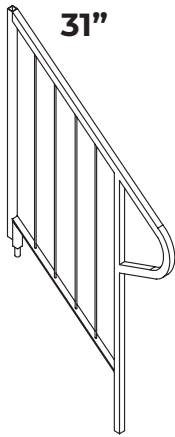
## **N** 4 1/2" Deck Rail (x1)

PLSR5

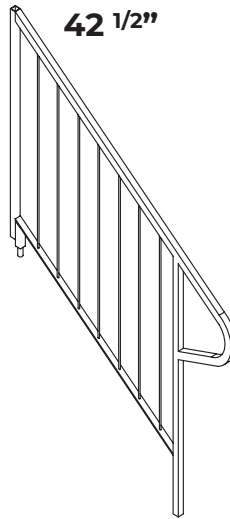


## 🎯 Step Handrail (x1)

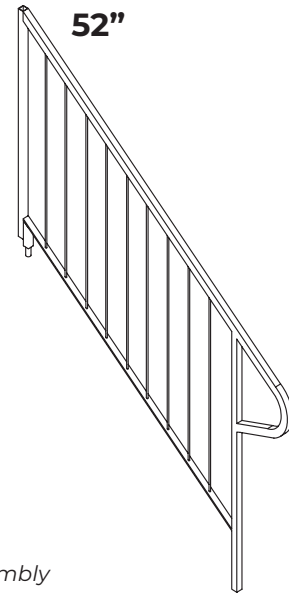
PLRS20



31"



42 1/2"

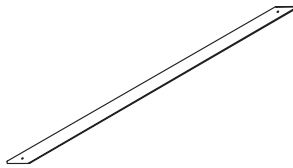


52"

*\*Length of the Step Handrail included in this kit will vary depending on height of Step Assembly*

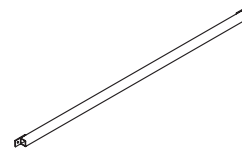
## 🔸 Cross Brace (x2)

PLRS59



## 🔸 H Brace Support (x2)

PLRS59



## REQUIRED TOOLS

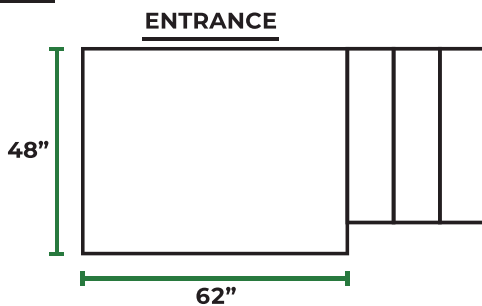
- 25' Tape Measure
- 6' Carpenters' Level
- Hammer
- Battery Operated Drill With 7/16" Drill Bit
- #2 Phillips Bit
- 3/8" Driver Bit
- 1/2" Open End Wrench or Deep Well Socket
- 9/16" Open End Wrench or Deep Well Socket

## 1. VERIFYING REQUIRED DECK HEIGHT

Before beginning deck installation, it is important to determine the required deck height that will be necessary for your needs. Follow the instructions in this section carefully to ensure the parts included in this kit will be sufficient for the area of installation.

If any of the parts you've received are not compatible with the measurements determined in the following steps, stop! Contact Oliver Technologies before proceeding with any installation.

1.1



Measure and stake out a 48" x 62" footprint for your deck. Orient the outline so the 62" side runs parallel to the homes' entrance. Repeat this process for the deck steps, depending on the desired positioning (left or right).

1.2



Once the area has been outlined, measure down from the top of the door threshold 2 1/2". This point will be a reference for the surface of the deck.

*\*Please note: There is a maximum step-in height of 7 3/4" to remain in compliance with IRC codes.*

1.3



Beginning from the point established in the previous step, measure down from where the edge of the steps will be located to the ground.

*\*Please note: The 24" H Brace allows for 10" of leveling adjustment, the 32" and 40" braces allow for 12".*

Consult the table below to determine what size **H Brace (C)** and **Step Assembly (E)** will be required for your deck, based on the measurement from the previous step.

2 1/2" FROM THRESHOLD TO GROUND	STEP ASSEMBLY REQUIRED	H BRACE REQUIRED
25" – 32 1/2"	3 Step	24"
32 1/2" – 40"	4 Step	32"
40" – 47 1/2"+	5 Step	40"

1.4



After verifying all measurements are correct, smooth out the area as much as possible before beginning installation, allowing for 1/2" slope of ground elevation for every 12" of distance from your home.

## 2. ASSEMBLING THE DECK FRAME

In this section we will be assembling and leveling the frame of the deck.

2.1



Using the area outlined in step 1.1 as a reference, position the four **Adjustable Legs (A)** at the corners of the deck outline. The base plate of each leg should be facing inward.

2.2



Place the two **Connector Braces (B)** outside of the adjustable legs on the 60" sides of the deck outline.

2.3



Slide each **H Brace (C)** down over the **Adjustable Legs (A)** and **Connector Brace (B)** laid out in the previous step.

*\*Please note: Each **H Brace (C)** should be positioned so the support bars are facing toward the inside of the deck frame.*

2.4



Secure both **Connector Braces (B)** to each **H Brace (C)** with a 14 x 14 x 3/4 Tek screw.

2.5



With the frame of the deck now assembled, move the **Adjustable Leg (A)** closest to the entrance of the home so the top of the **H Brace (C)** is 3" below the point established in step 1.2 (this will allow room for the top of the deck to be installed later on).

*\*Please note: An adjustable leveling support can be used to hold each **H Brace (C)** at the correct height.*

2.6



Once in position, secure the **H Brace (C)** to the **Adjustable Leg (A)** with one 14 x 14 x 3/4 Tek screw in the pre-drilled pilot hole near the bottom of the **H Brace (C)**.

2.7



Repeat the previous two steps on the remaining **Adjustable Legs (A)**, using a carpenter's level to ensure the top of each **H Brace (C)** is level before securing to the **Adjustable Legs (A)**.

### 3. INSTALLING THE TOP OF THE DECK

In this section we will be securing the Deck Top to the frame of the deck.

3.1



Move the **Platform Module (D)** into position above the frame of the deck and slide the male connectors down into the top of the **H Braces (C)** until it is seated securely on the frame.

3.2



Using a carpenter's level, verify that the top of the deck is level in both directions.

3.3



After leveling, secure the **Platform Module (D)** to the **H Braces (C)** with one 14 x 14 x 3/4 Tek screw in the pre-drilled holes located on the top of the **H Brace (C)**.



## 4. SETTING THE STEPS

In this section we will be mounting the Step Assembly to the deck frame.

4.1



Move the **Step Assembly (E)** to your desired location (left or right side of the deck). Raise the top of the **Step Assembly (E)** vertically and slide the **Adjustable Step Legs (F)** inside the sleeves located on the bottom step tread.

4.2



Move the top of the **Step Assembly (E)** against the deck frame so the pre-drilled holes on the attachment plate (located on the back of the top step tread) line up with the pre-drilled holes in the **Platform Module (D)** frame.

4.3



Insert a 5/16" Carriage Bolt through the front of each hole and secure with a nut. Hand tighten, leaving allowance for adjustments.

4.4



Place a carpenter's level across the bottom step tread and turn the **Adjustable Step Legs (F)** until level. Verify the top step is level in both directions.

4.5



Verify the height from the ground to the top of the first step tread does not exceed 7 3/4" (the maximum height adjustment allowed).

4.6



After confirming the **Step Assembly (E)** is level and step height is verified, tighten down the nuts from step 4.3.

## 5. INSTALLING THE DECK RAILS & HANDRAILS

In this section we will be attaching the handrails and deck rails to the deck.

5.1



Begin deck rail installation by setting the first **Corner Post (J)**. Position it on the deck top so it is mounted on the same side as the **Step Assembly (E)**.

5.2



Line up the hole in the front of the post bracket with the pre-drilled hole in the frame of the **Platform Module (D)**. Once positioned correctly, mark the location of the hole in the top of the post bracket.

5.3



Use the mark as a guide to drill a pilot hole through the **Platform Module (D)**. Once drilled, reposition the post in place.

*\*Please note: When setting the corner posts, the pilot hole should align with the 9/16" hole in the plate on the underside of the **Platform Module (D)**.*

5.4



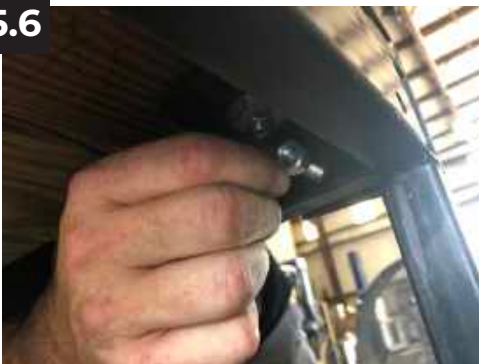
Insert a 2" x 3/8" Carriage Bolt through the hole in the top of the post bracket and the newly drilled pilot hole.

5.5



On the underside of the deck, slide a washer onto the carriage bolt and secure with a nut. Hand tighten, leaving allowance for adjustments.

5.6



Repeat this process using a 1 3/4" x 3/8" Carriage Bolt through the hole in the front of the post bracket.

5.7



To set the second **Corner Post (J)**, repeat steps 5.2-5.3, positioning it on the opposite end of the 60" side of the deck.

5.8



Insert the **58 3/4" Deck Rail (K)** section into the sleeves located on the side of the first **Corner Post (J)**.

5.9



While holding the second **Corner Post (J)** in position, slide the other end of the **58 3/4" Deck Rail (K)** section into place. Repeat steps 5.4-5.6 to secure the post to the top of the deck.

5.10



To set the first **End Post (G-H)**, repeat steps 5.2-5.3, positioning it on the opposite end of the 48" side of the deck.

*\*Please note: Your kit will include both left and right **End Posts (G-H)**. Their orientation will depend on which side of the deck you have chosen to mount the Step Assembly.*

5.11



Insert the **44" Deck Rail (L)** section into the sleeves located on the side of the second **Corner Post (J)**.

5.12



While holding the first **End Post (G-H)** in position, slide the other end of the **44" Deck Rail (L)** section into place. Repeat steps 5.4-5.6 to secure the post to the top of the deck.

5.13



Position the second **End Post (G-H)** so it is seated next to the **Step Assembly (E)** (on the side furthest away from the home) ensuring the front of post bracket is flush with the attachment plate on the **Step Assembly (E)**.

5.14



Once positioned correctly, mark the location of the hole on the top of the post bracket. Use the mark as a guide to drill a pilot hole through the **Platform Module (D)**. Once drilled, reposition the post in place.

5.15



Insert the **4 1/2" Deck Rail (N)** section into the sleeves located on the side of the first **Corner Post (J)**.

5.16



While holding the second **End Post (G-H)** in position, slide the other end of the **4 1/2" Deck Rail (N)** section into place. Repeat steps **5.4-5.5** to secure the post to the top of the deck.

5.17



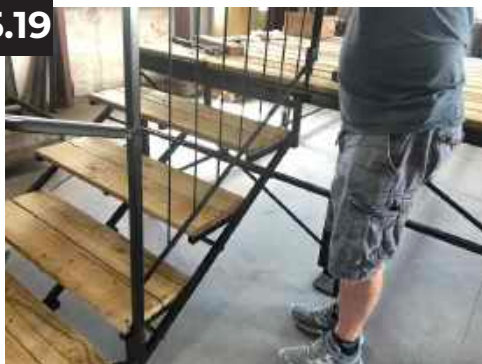
After ensuring all posts and deck rails are plumb and mounted correctly, tighten down all **Carriage Bolts** installed in this section.

5.18



Secure all deck rails with a single **#10-16 x 1" Phillips head screw** through the underside of the top post sleeves, and the top of the bottom post sleeves.

5.19



To attach the **Step Handrail (O)**, position it above the outside of the **Step Assembly** and slide the male connectors down into the sleeves (located on the back of the top step tread and the front of the second step tread).

5.20



Once the **Step Handrail (O)** is seated firmly in position, secure with 14 x 14 x 3/4 Tek screws through the pre-drilled holes on both sides of each sleeve.

*\*Please note: If the opposite side of the Step Assembly is open another hand rail must be installed when ground to deck height is over 30".*

5.21



Hold the **Step Handrail (O)** in place so it is flush with the front of the **End Post (G-H)** mounted in step 5.16. Secure the **Step Handrail (O)** to the **End Post (G-H)** with a #10-16 x 3/4" Phillips head screw through the pre-drilled pilot hole located in the top of the post.

5.22



After all deck rails and step rails have been properly secured, install the 2" x 2" post caps in the top of each post.

## 6. ATTACHING SUPPORTS

In this section we will be attaching Cross Braces and H Brace Supports to the deck.

6.1



Using 14 x 14 x 3/4 Tek screws, attach each **Cross Brace (P)** on the interior of the 60" side of the deck frame.

*\*Please note: **Cross Braces (P)** should be mounted on the outermost corners of the deck frame, going in opposite directions.*

6.2



Secure each **H-Brace (C)** to the **Adjustable Legs (A)** with a second 14 x 14 x 3/4 Tek screw in the remaining pre-drilled pilot holes.

6.3



Finally, use 14 x 14 x 3/4 Tek screws to attach each **H Brace Support (Q)** on the interior of the 48" side of the deck frame.





**(800) 284-7437 | [olivertechnologies.com](http://olivertechnologies.com)**  
**467 Swan Avenue, Hohenwald, TN 38462**